

WASHBROOK™ 1.0 GPF WASHOUT URINAL

- Vitreous china
- Low-consumption (3.8 Lpf/1.0 gpf)
- Flushing rim
- Elongated 14" rim from finished wall
- Washout flush action
- Extended sides for privacy
- 3/4" inlet spud
- Outlet connection threaded 2" inside (NPTF)
- 2 wall hangers
- Fixture only
- Meets ANSI flush requirements at 1.0 GPF

6501.010 Top spud

6506.011 Back spud

Nominal Dimensions:

355 x 470 x 692mm
(14" x 18-1/2" x 27-1/4")

Recommended working pressure – between
20 psi at valve when flushing and 80 psi static

Compliance Certifications -

Meets or Exceeds the Following Specifications:

- ASME A112.19.2 for Vitreous China Fixtures

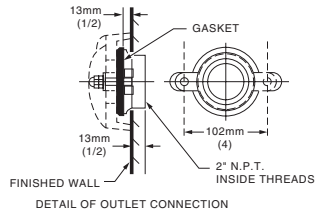
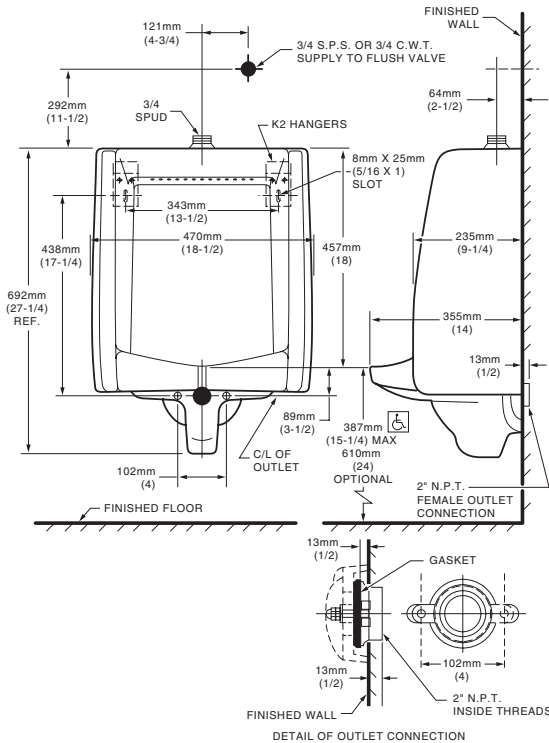


SEE REVERSE FOR ROUGHING-IN DIMENSIONS

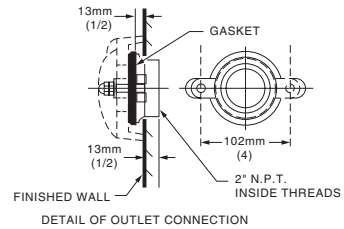
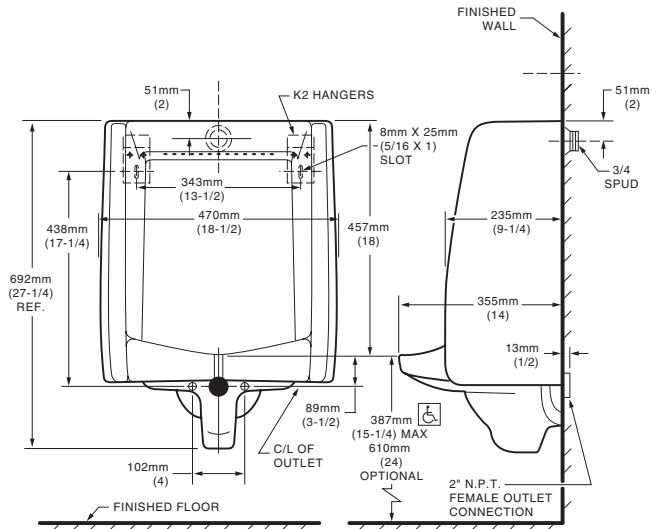
To Be Specified:

- Color: White Bone Silver
 Linen Black
- Flush Valve:
 - American Standard Selectronic™ #6063.101.002
DC Power (Top Spud)
 - American Standard Selectronic™ #6063.310.007
DC Power (Back Spud)
 - American Standard Selectronic™ #6062.310.007
AC Power (Back Spud)
 - American Standard Selectronic™ #6061.310.007
Multi AC Power (Back Spud)
- Stainless Steel Strainer: 047068-0070A

6501.010 TOP SPUD



6506.011 BACK SPUD



MEETS THE AMERICANS WITH DISABILITIES ACT GUIDELINES AND ANSI A117.1 ACCESSIBLE AND USABLE BUILDINGS AND FACILITIES - CHECK LOCAL CODES.

- When installed so top of rim is 387mm (15-1/4") from finished floor.

NOTES:

FLUSH VALVE NOT INCLUDED AND MUST BE ORDERED SEPARATELY. PROVIDE SUITABLE REINFORCEMENT FOR ALL WALL SUPPORTS.

IMPORTANT: Dimensions of fixtures are nominal and may vary within the range of tolerances established by ANSI Standard A112.19.2. These measurements are subject to change or cancellation. No responsibility is assumed for use of superseded or voided pages.